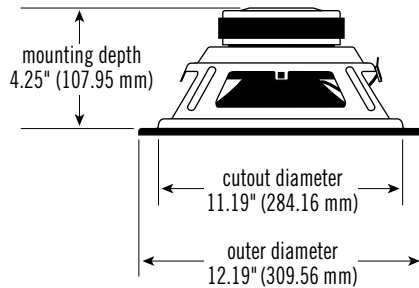


SPECIFICATIONS

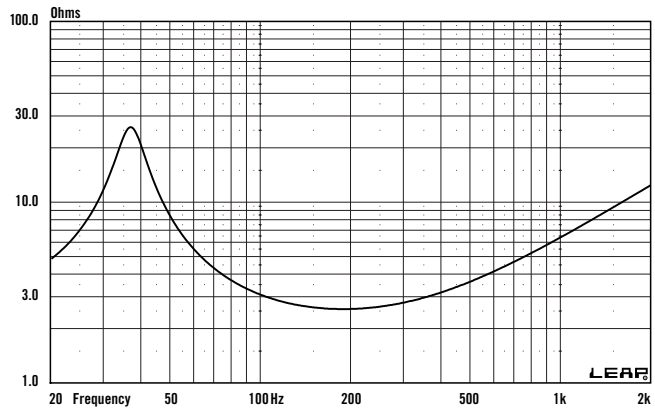
DIAMETER:	12" (304.8 mm)
SENSITIVITY (2.83 V @ 1 m):	93 dB
POWER HANDLING:	600 W _{RMS}
FREQUENCY RESPONSE:	20 ~ 300 Hz
NOMINAL IMPEDANCE:	4 OHMS
VOICE-COIL DIAMETER:	4.0" (101.6 mm)
DIMENSIONS:	



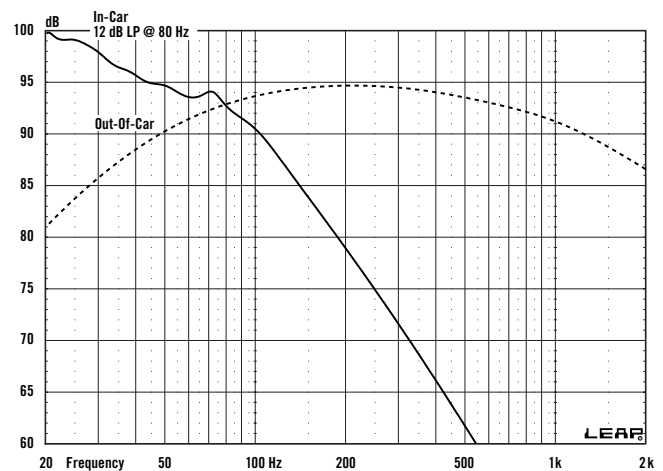
THIELE-SMALL PARAMETERS

VOICE COIL DC RESISTANCE:	R_{EVC} (OHMS)	2.50
VOICE COIL INDUCTANCE @ 1 kHz:	L_{EVC} (MH)	0.98
DRIVER RADIATING AREA:	S_D (IN ²)	84.57
	S_D (CM ²)	548.00
MOTOR FORCE FACTOR:	BL (TM)	12.48
COMPLIANCE VOLUME:	V_{AS} (FT ³)	2.40
	V_{AS} (LITERS)	56.66
SUSPENSION COMPLIANCE:	C_{MS} (µM/N)	132.87
MOVING MASS, AIR LOAD:	M_{MS} (GRAMS)	139.26
MOVING MASS, DIAPHRAGM:	M_{MD} (GRAMS)	131.88
FREE-AIR RESONANCE:	F_S (Hz)	37.00
MECHANICAL Q:	Q_{MS}	4.89
ELECTRICAL Q:	Q_{ES}	0.52
TOTAL Q:	Q_{TS}	0.47
MAGNETIC-GAP HEIGHT:	H_{AG} (IN)	0.32
	H_{AG} (MM)	8.12
VOICE-COIL HEIGHT:	H_{VC} (IN)	0.75
	H_{VC} (MM)	19.05
MAXIMUM EXCURSION:	X_{MAX} (IN)	0.22
	X_{MAX} (MM)	5.46

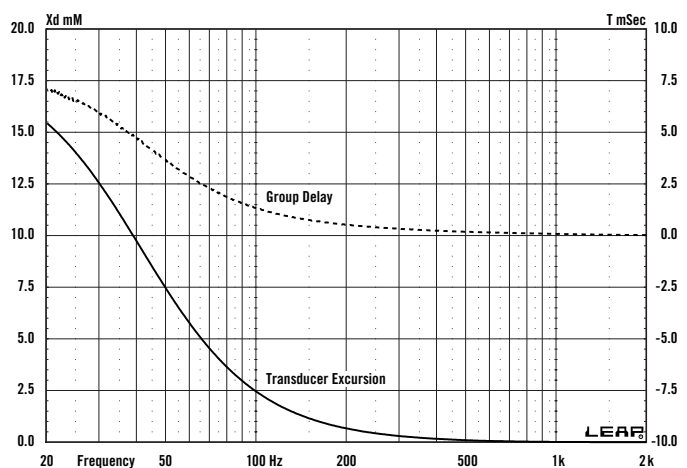
IMPEDANCE CURVE



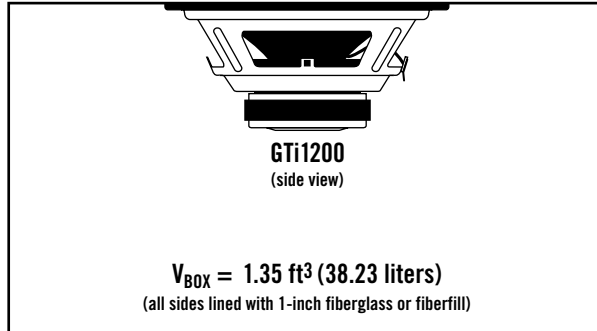
INFINITE Baffle FREQUENCY RESPONSE @ 2.83 V



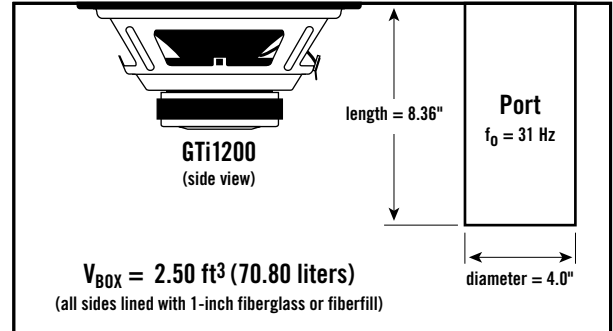
INFINITE Baffle EXCURSION/GROUP DELAY @ 150 W



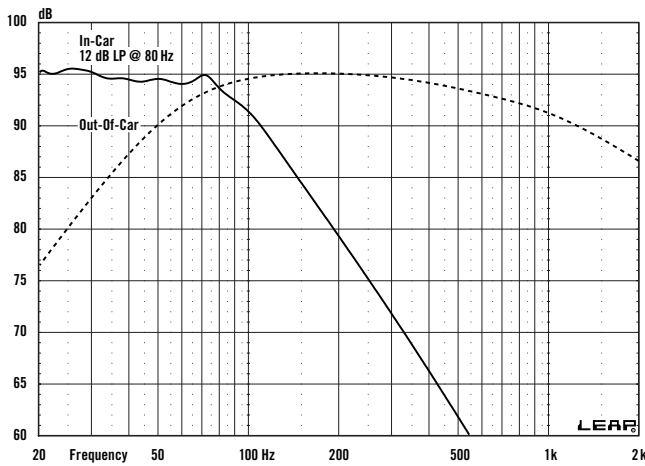
SEALED BOX VOLUME



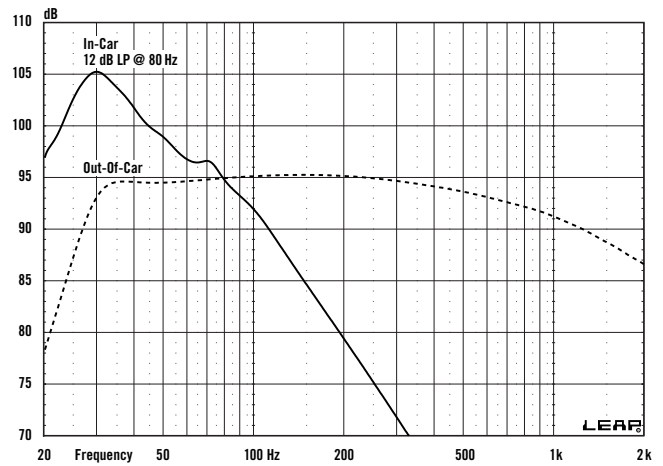
VENTED BOX VOLUME



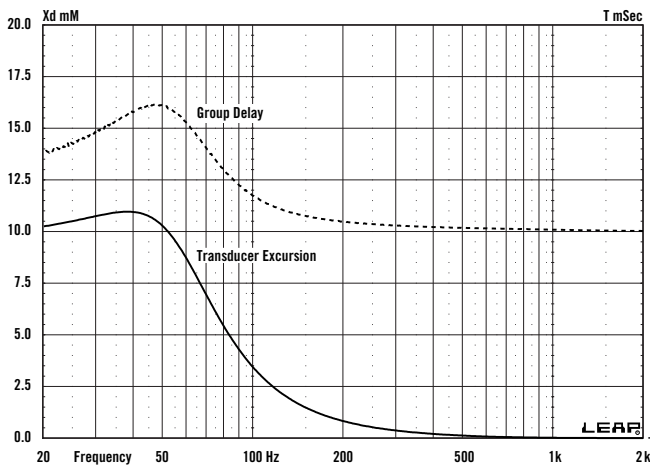
SEALED FREQUENCY RESPONSE @ 2.83 V



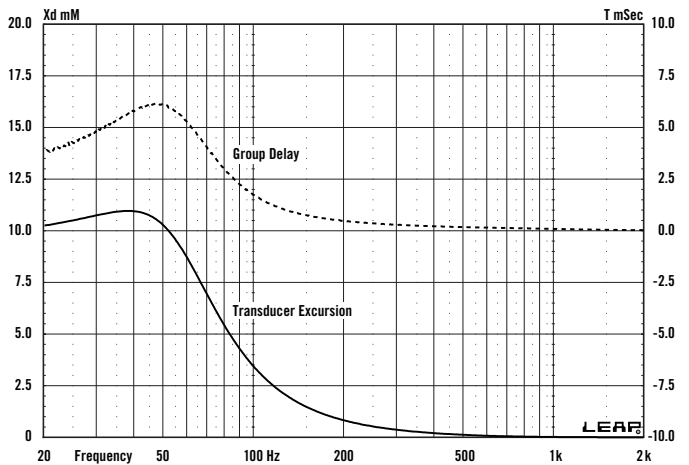
VENTED FREQUENCY RESPONSE @ 2.83 V



SEALED EXCURSION/GROUP DELAY @ 300 W



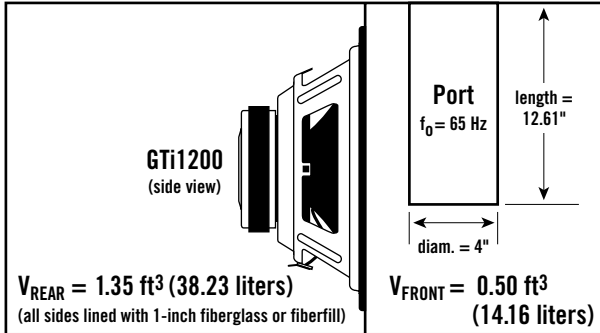
VENTED EXCURSION/GROUP DELAY @ 300 W



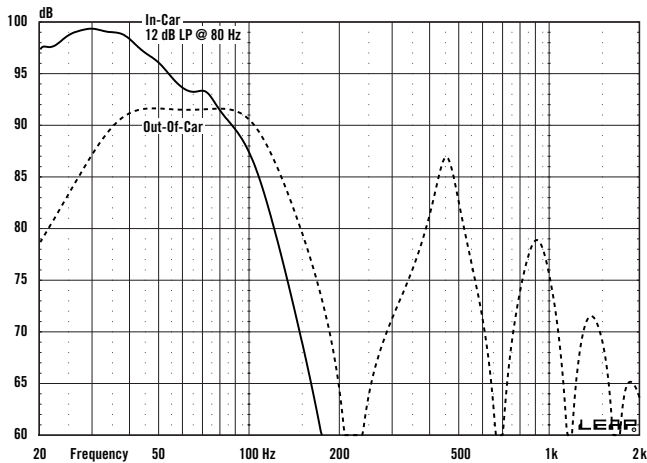


1200GTi 12" Woofer – Technical Data

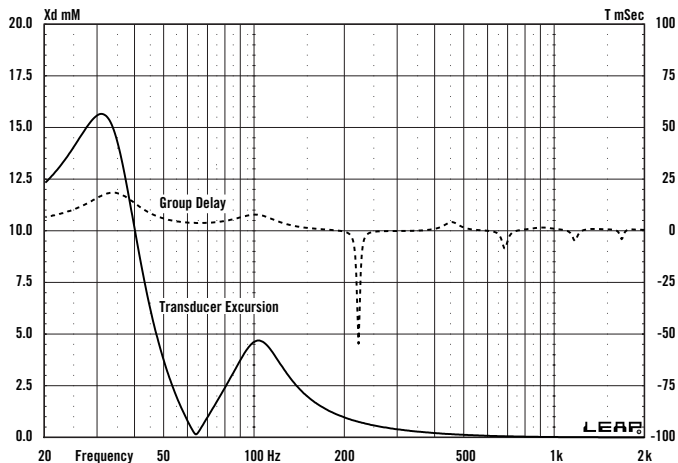
SEALED BANDPASS BOX VOLUME



SEALED BANDPASS FREQUENCY RESPONSE @ 2.83 V



SEALED BANDPASS EXCURSION/GROUP DELAY @ 500 W



NOTES